

ARVAG

Idroscopino Ramax Jet Galax

Body in glossy chromed brass

Open flow control by pivoting cylinder

Dynamic Jet exclusive toilet-cleansing technique with stainless steel nozzle

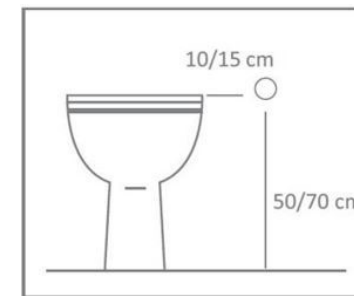
Flexible stainless steel or reinforced glossy chromed PVC with satin finish anti-twist hose

Glossy chromed brass water outlet wall support with adjustable support and provided with a manual quarter-turn ceramic faucet



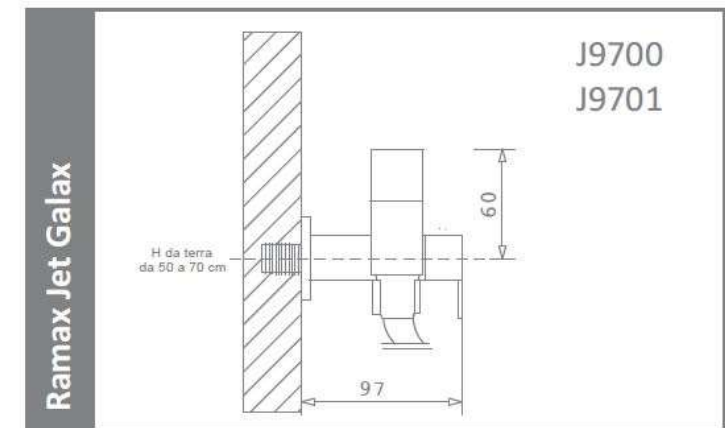
J9700 Ramax Jet Galax with stainless steel hose

J9701 Ramax Jet Galax with PVC hose



**Predisposition for
new bathrooms**

Predispose a F 1/2 cold water point about 50/70cm from the floor and 10/15cm from the outer part of the toilet bowl.



ARVAG Via Toscana,1 20096 Pioltello (Mi) 02/70300326
info@arvag.com www.arvag.com